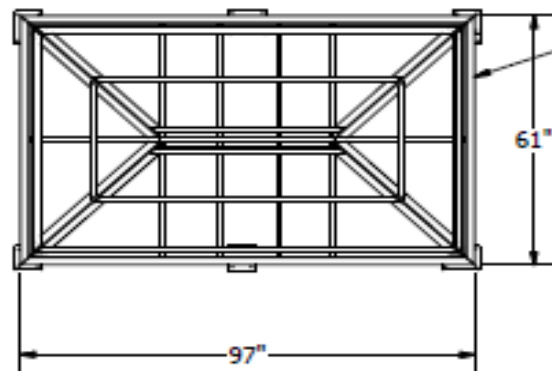


**541-296-7595**  
**MCEDD.ORG/LINK**

**THE LINK**  
**PUBLIC TRANSIT**

# Bus Shelter Site Proposal





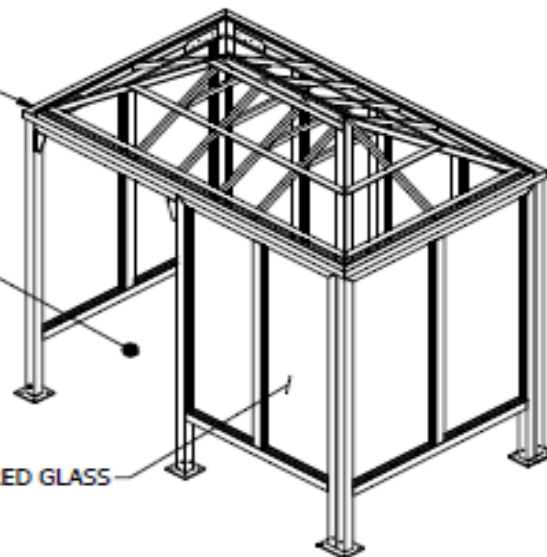
TOP VIEW  
SCALE: 1/32"=1"

GUTTER OVERHANGS  
SHELTER BY 1/2"

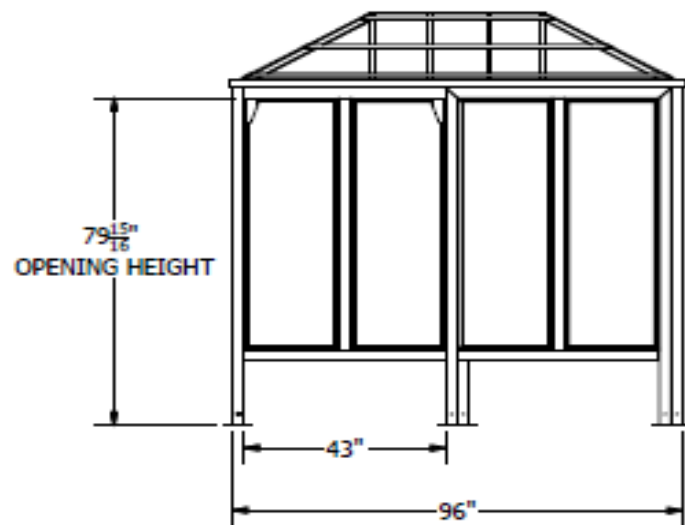
INTEGRATED GUTTER  
AND ROOF SYSTEM

43" X 80" ENTRANCE

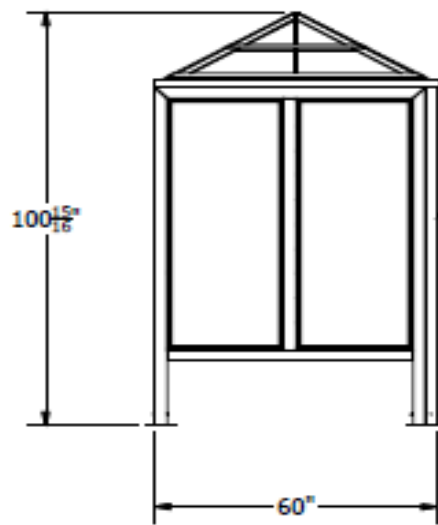
1/4" TEMPERED GLASS



PERSPECTIVE VIEW  
SCALE: 1/32"=1"



FRONT VIEW  
SCALE: 1/32"=1"



SIDE VIEW  
SCALE: 1/32"=1"

\*\* ROOFING MATERIAL NOT  
SHOWN FOR CLARITY



OREGON  
CORRECTIONS  
ENTERPRISES

P.O. BOX 12849  
SALEM, OR 97309

PH: (503) 378-5276

NOTICE: THIS DRAWING IS  
PROPERTY OF OREGON  
CORRECTIONS ENTERPRISES AND  
CONTAINS INFORMATION THAT IS  
NOT TO BE USED EXCEPT IN  
CONSIDERATION OF BIDS OR  
PROPOSALS TENDERED HEREWITH.  
REPRODUCTION OR COPYING OF  
THIS DRAWING, IN WHOLE OR IN  
PART IS PROHIBITED.

SHELTER, BUS, FRONT PANEL  
5' X 8'

**732-031-006**

- FOUR SIDED BUS SHELTER  
(2) SIDE PANELS  
(2) BACK PANELS  
(1) FRONT PANEL

CONCEPTUAL DRAWING FOR CUSTOMER  
SIGN OFF ONLY, NOT INTENDED FOR PRODUCTION  
Please provide comment on conceptual  
drawing, mark appropriate box below,  
provide authorized signature and fax to 803-373-1008

No Exceptions Noted  
 Revise & Re-Submit

X  
Signature \_\_\_\_\_ Date \_\_\_\_\_

DRAWN BY T. WILSON DATE 5/19/2016

CHECKED BY DATE

APPROVED BY DATE

DRAWING STATUS

**SUBMITTED**  
5/17/2016  
FOR  
APPROVAL

MODEL FILE SHELTER, BUS

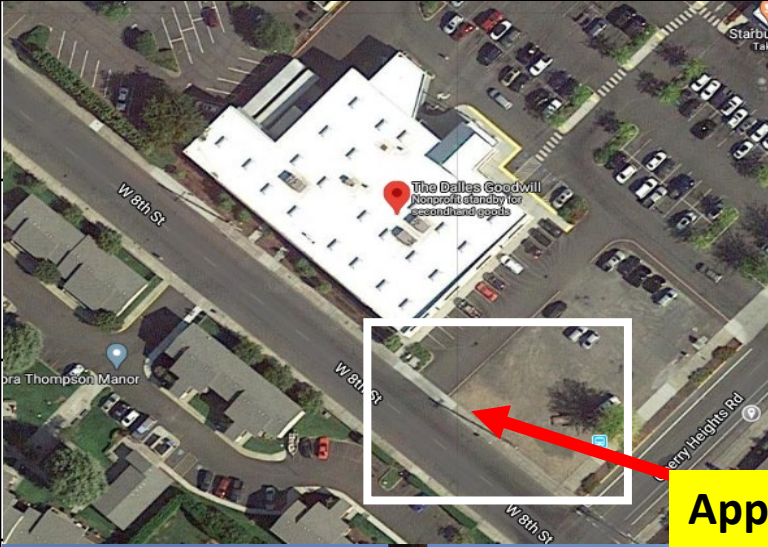
PRODUCT NO.

DRAWING NO.

SCALE: (SINCE) 1/32" = 1" REV. A

SHEET 1 OF 23

Proposed Bus Shelter (Stop 2)  
Adjacent to Goodwill Parking Lot  
Goodwill Property Address:  
1218 W. 6th St., The Dalles, OR 97058  
Legal Description:  
01N13 E04BA00100 00



**Approximate  
Proposed  
Location**

